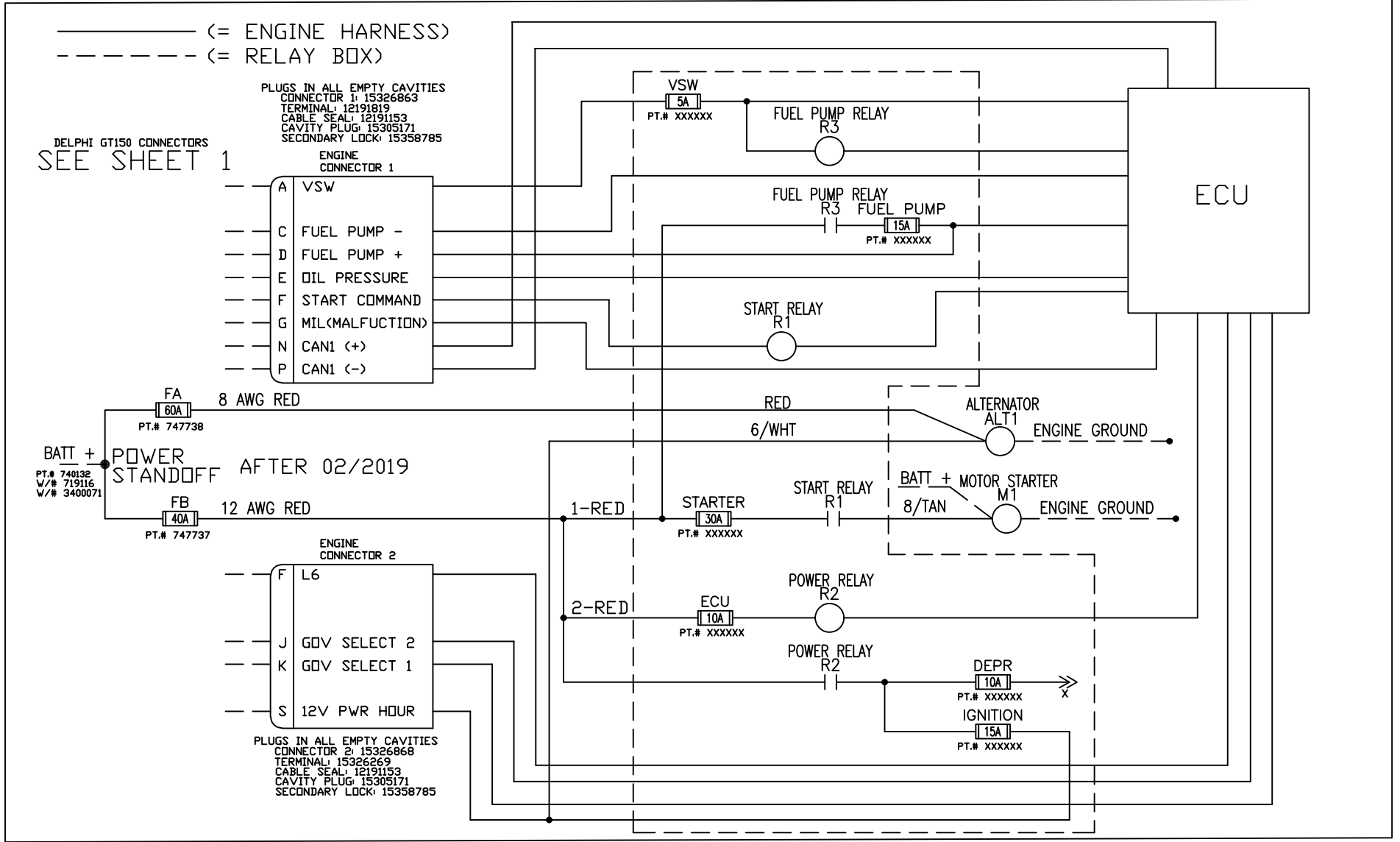


(GAS/LP ONLY)



CONFIDENTIAL

THIS DRAWING AND ALL INFORMATION CONTAINED THEREIN ARE THE EXCLUSIVE PROPERTY OF MINUTEMAN INTERNATIONAL, INC. THIS DRAWING IS NOT TO BE COPIED OR OTHERWISE REPRODUCED WITHOUT EXPRESSED WRITTEN PERMISSION OF MINUTEMAN INTERNATIONAL, INC. IN ADDITION, THIS DRAWING MUST BE RETURNED UPON REQUEST. FURTHER, ALL INFORMATION CONTAINED HEREIN MUST BE MAINTAINED CONFIDENTIAL.

TITLE		NAUTILUS ELECTRICAL SCHEMATIC		SCALE	NTS
MATERIAL		N/A		FINISH	
				N/A	
TOLERANCES (UNLESS OTHERWISE SPECIFIED)		REMOVE BURRS AND BREAK SHARP EDGES .005/.020			
0-1"	± 1/16	.000 ± .005	SIZE	DRAWN BY	KHH
>1-12"	± 1/4"	.00 ± .010	B	CHECKED BY	JWP
<12"	± 1/2"	ANGLES ± 30'		DATE	08/03/15
		14N845 U.S. ROUTE 20		P.N. 748992-1	
		PINGREE GROVE, IL 60140			
REV	E.C.N.	DATE	CHANGE	BY	CHK BY

SHEET 6 OF 6